



Pedana operatore
con protezioni



PERFORMANCE, SAFETY AND STABILITY, HYGIENE AND EASY CLEANING

EL INOX stacker truck by Samag is made of stainless steel or non-corrosive material, thus intended to be used in environments where cleanliness and hygiene are essential conditions and where there are problems of corrosion.

All made with:

- **frame with rounded shapes** to reduce the deposit of residues and allow a good daily washing with fresh water
- **laminated stainless steel frame** and mast unit with **high resistance** to bending and torsion, with **quality certificate**
- lifting cylinder (including pulley lifting chain) **fully made of stainless steel** or non-corrosive material
- AISI 304 cast **stainless steel gearbox** casing
- bonnet and tiller arm with **protection degree** against water sprays
- brushless **AC** alternating current **traction motor: less maintenance and more power**
- **stainless steel** bearings, pins and bushes on wheels, rollers and masts
- spring loaded central drive wheel with adjustable load, for **efficient ground contact** at all times
- plastic push-button control box **resistant to corrosive agents** and protected
- **Cold store** version (upon request)

✓ **LOAD CAPACITY UP TO 1.300 KG AND 1.500 KG**

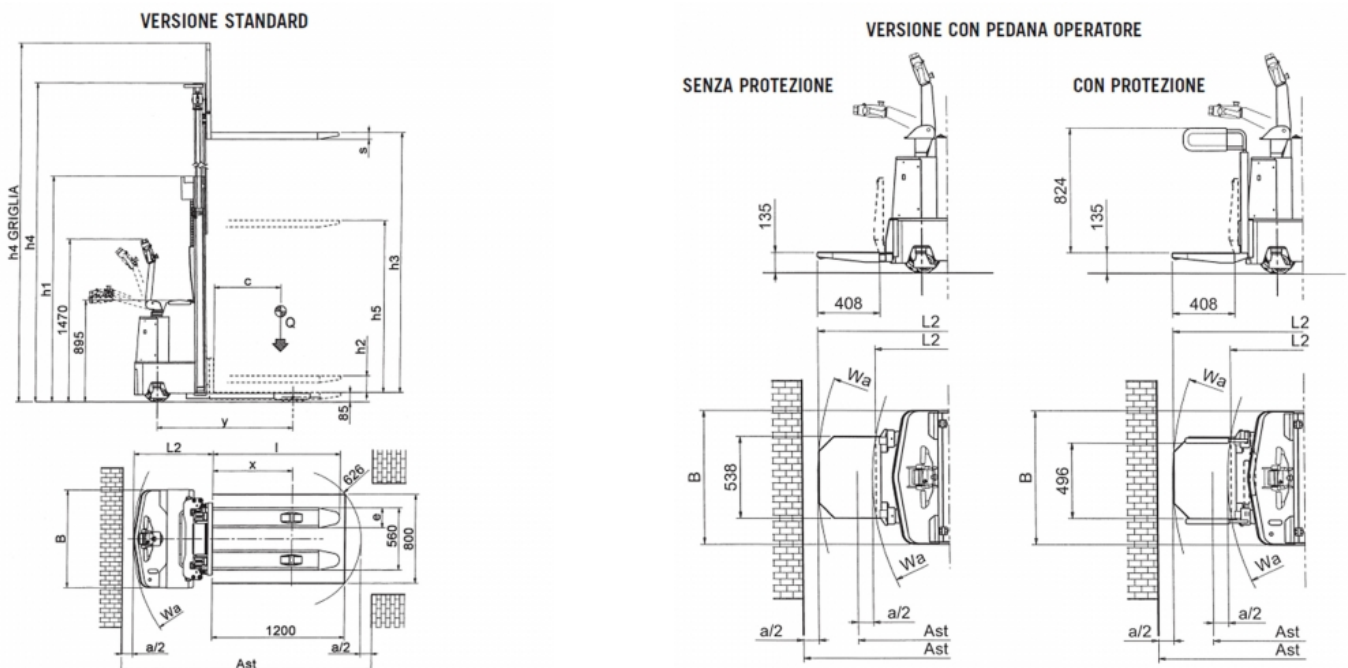
✓ **SPECIAL CONSTRUCTIONS UPON REQUEST**

✓ **SPECIAL DIMENSIONS UPON REQUEST**

SOME OPTIONALS

-  **OPERATOR TRANSPORT PLATFORM**
-  **LITHIUM BATTERY**
-  **SCALE/PRINTER**
-  **USE IN COLD STORE**

Type	Stainless steel forklift trucks	Class	Stainless steel stackers for normal-intensive use
Load capacity (Kg)	1500	Lifting capacity (mm)	4800



Characteristics

	1.1	Manufacturer				SAMAG
Characteristics	1.2	Manufacturer's type designation			EL INOX	EL INOX P.O.
	1.3	Drive: electric (battery or mains), diesel, petrol, fuel gas				Electric
	1.4	Operator type: hand, pedestrian, standing, seated, order-picker			pedestrian	seated
	1.5	Load capacity/rated load	Q	t		1,3
	1.6	Load centre distance	C	mm		600
	1.8	Load distance, centre of drive axle to fork	x	mm		718
	1.9	Wheelbase	Y	mm		1229/1247
Weight	2.1	Service weight (battery included)		Kg	965	1000
	2.2	Axle loading, laden (front / rear)		Kg	865 / 1400	905 / 1395
	2.3	Axle loading, unladen (front / rear)		Kg	740 / 225	780 / 220
Wheels and frame	3.1	Tyres: solid rubber, superelastic, pneumatic, polyurethane				Large band Topthane
	3.2	Tyre size, front		mm		260 x 85 / 125 x 50
	3.3	Tyre size, rear		mm		85x70
	3.5	Wheels, number front rear (x = driven wheels)				1X + 2/4
	3.6	Tread, front	b10	mm		754
	3.7	Tread, rear	b11	mm		380
	Dimensions	4.2	Height, mast lowered	h1	mm	
4.3		Free lift	h2	mm		(see table)
4.4		Lift	h3	mm		(see table)
4.5		Height, mast extended	h4	mm		(see table)
4.6		Initial lift	h5	mm		(see table)
4.8		Seat height / stand height	h7	mm	---	135
4.9		Height of tiller in drive position (min. / max.)	h14	mm		895 / 1470
4.15		Height of forks from ground	h13	mm		85
4.19		Overall length	l1	mm	1866/1884 (2)	1974/2348 - 1992/2366 (1)
4.20		Length of face of forks	l2	mm	716/734 (2)	824/1198 - 842/1216 (1)
4.21		Overall width	b1	mm		880
4.22		Fork dimensions	sl1ell	mm		60 x 180 x 1150
4.24		Fork - carriage width	b3	mm		700
4.25		External fork widths	b5	mm		560
4.32		Ground clearance, centre of wheelbase	m2	mm		28
4.34	Aisle width for pallets 800 x 1200 crossways	Ast	mm	2116/2134 (2)	2247/2605 - 2265/2623 (1)(2)	
4.35	Turning radius	Wa	mm	1434/1452 (2)	1566/1924 - 1584/1942 (1)(2)	
Performance	5.1	Travel speed (laden / unladen)		Km/h	6 / 6	6 / 6 - 7,5 / 7,5
	5.2	Lift speed (laden / unladen)		m/s		0,13 / 0,21
	5.3	Lowering speed (laden / unladen)		m/s		0,40 / 0,30
	5.7	Gradeability (laden / unladen)		%		7 / 9
	5.8	Max. gradeability (laden / unladen)		%		7 / 15
Electric motor	5.10	Service brake				Electric
	6.1	Traction motor, power KB 60'		KW		1,8 AC
	6.2	Lifting motor, performance 15% ED		KW		2,5
	6.3	Battery DIN 43531/35/36 A, B, C,				yes
	6.4	Tension / nominal capacity		V / Ah		24/240
6.5	Battery weight (± 5%)		Kg		203	
Altri dati	8.1	Control type				Electric AC
	8.4	Sound level at the driver's ear according to DIN 10 053		dB/(A)		<70

Ast comprende "a" (spazio di manovra) = 200 mm

(1) Il primo valore indica la pedana ripiegata, il secondo abbassata per il trasporto operatore.

(2) Il primo valore indica versioni: NT, DV, DVL, il secondo versioni: TV, TVL

NB: I sollevatori DV 2500, DVL 2500, TV 3700, TVL 3700 non sono previsti nella versione PO

Overall dimensions

OVERALL DIMENSIONS OF LIFTING GROUPS

	Lift height	h3	h2	h5	h1	h4	h4 grid
Non telescopic NT	1700	1620	1620	/	2080	2100	2510
Duplex "DV"	2500	2430	150	/	1780	2960	3320
	3000	2930	150	/	2030	3460	3820
	3500	3430	150	/	2280	3960	4320
	4000	3930	150	/	2530	4460	4820
	4300	4270	150	/	2700	4800	5160
Duplex "DVL"	2500	2445	/	1230	1780	2995	3335
	3000	2945	/	1480	2030	3495	3835
	3500	3445	/	1730	2280	3995	4335
	4000	3945	/	1980	2530	4495	4835
Trplex "TV"	3700	3645	/	/	1810	4240	4535
	4200	4155	/	/	1980	4750	5045
	4500	4395	/	/	2060	4990	5285
Triplex "TVL"	3700	3660	/	1230	1810	4240	4550
	4200	4170	/	1400	1980	4750	5060
	4500	4410	/	1480	2060	4990	5300
	4800	4710	/	1580	2160	5290	5600